

75x75	100x100
100x200	400x200
200x100	300x400
200x200	400x300
200x300	400x400
300x200	600x400
300x300	




CAUTION: DO NOT EXCEED  
RATED LISTED WEIGHT. SERIOUS  
INJURY OR PROPERTY DAMAGE  
MAY OCCUR!

XTR-FS4000  
XTR-FS4010  
XTR-FS4025  
XTR-FS4020

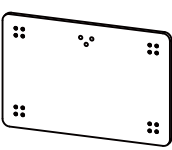
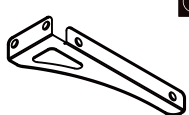
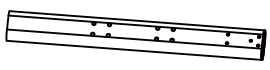
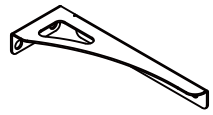
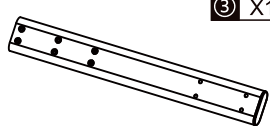
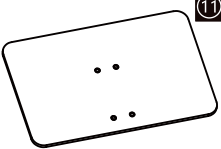

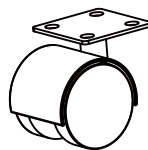
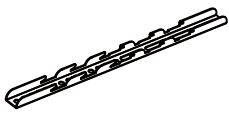
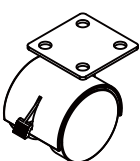
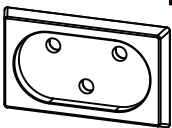
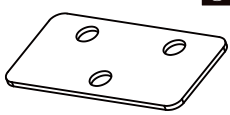
**PART LIST**

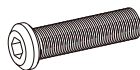
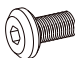








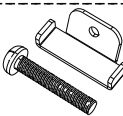
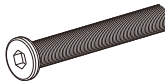





Plastic Washer










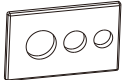


Steel Washer

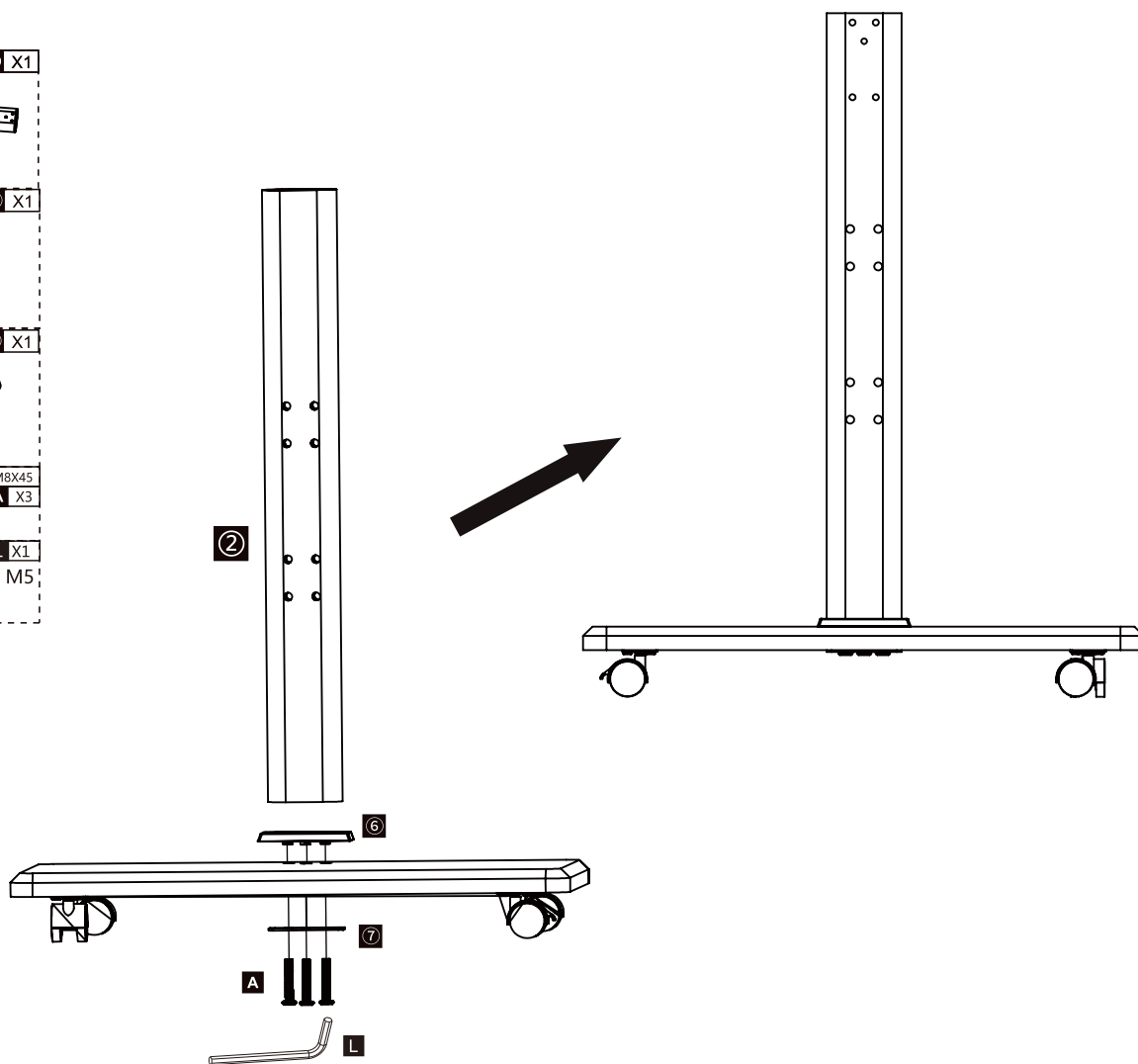
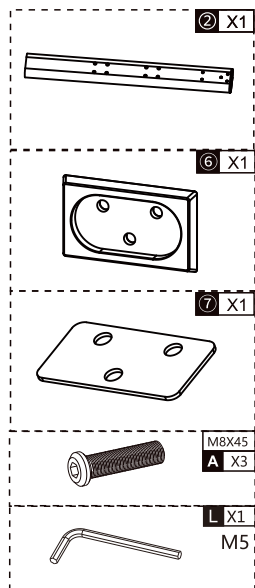
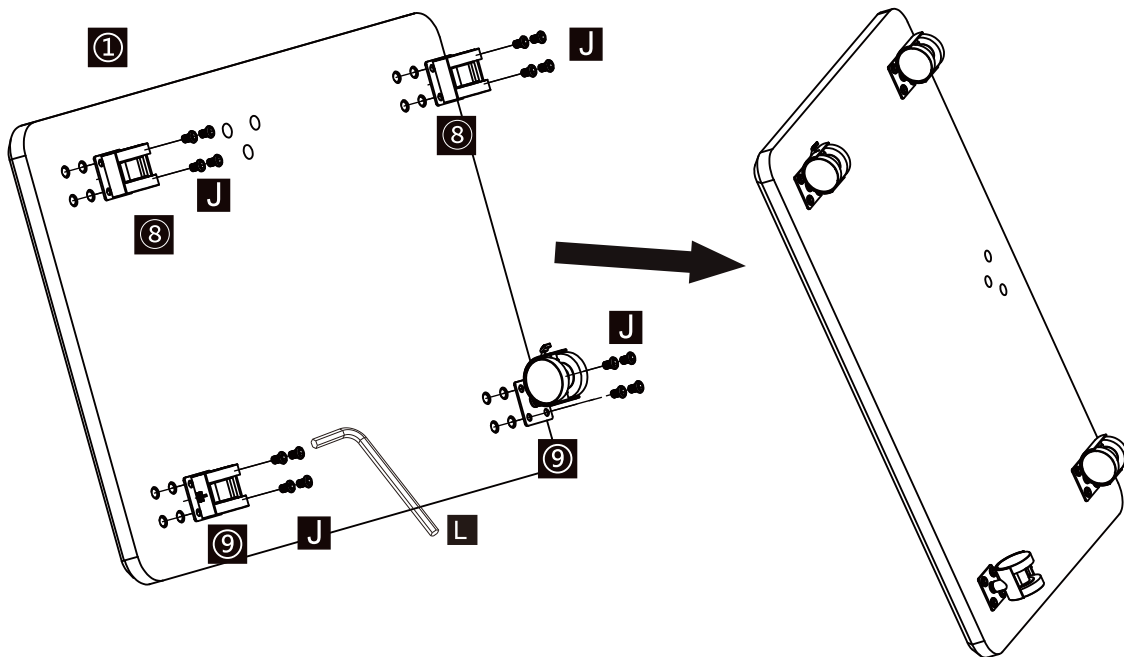
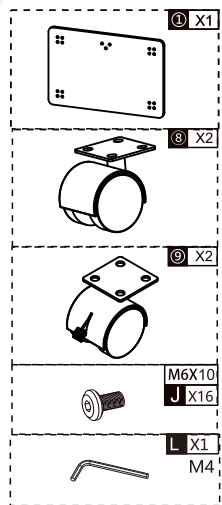
	① X1		⑧ X1
	② X1		⑨ X1
	③ X1		⑩ X1
	④ X1		⑪ X2
	⑤ X2		⑫ X2
	⑥ X1		
	⑦ X1		

	M8X45 A X3		M6X10 J X20
	M6X25 B X4		K X2
	M6X16X1.5 C X4		L X1 M5
	M6X40 D X4		L X1 M4
	E X2		L X1 10
	F X2		
	M6X50 G X4		
	M6x16x1 H X4		
	M6 I X4		

**FOR TV INSTALLATION**

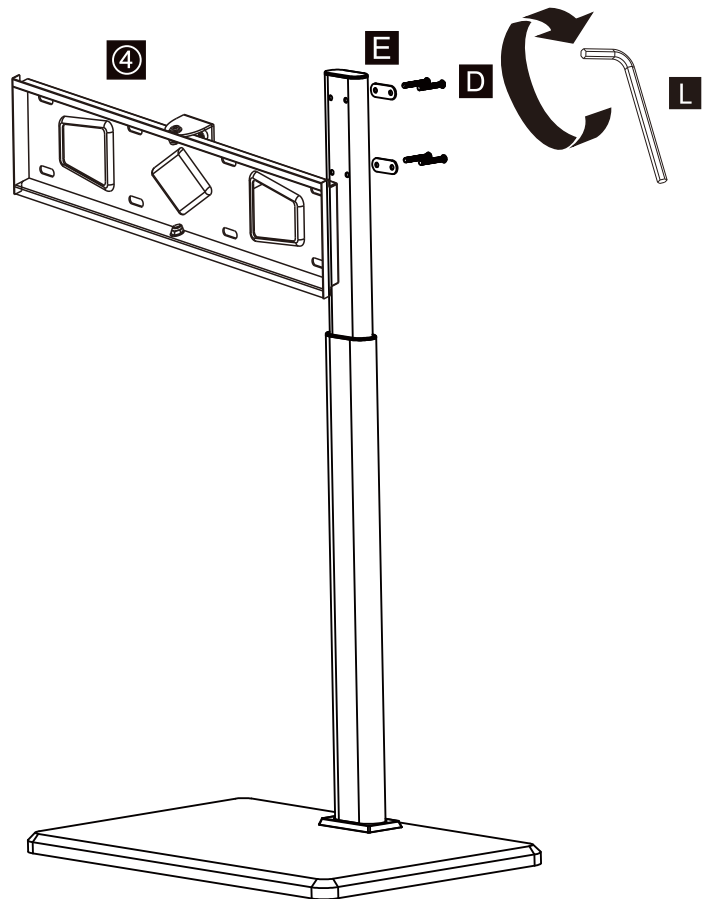
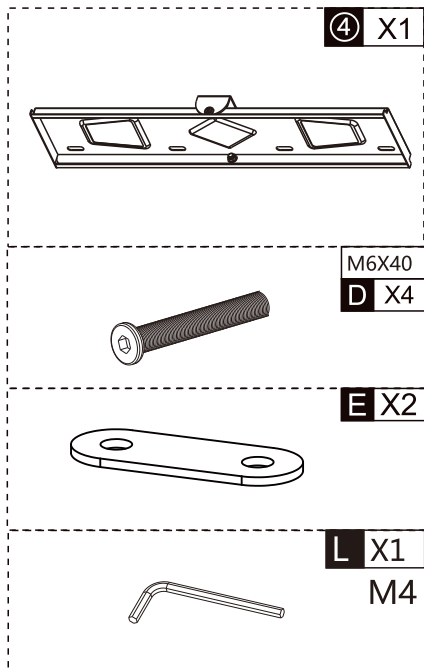
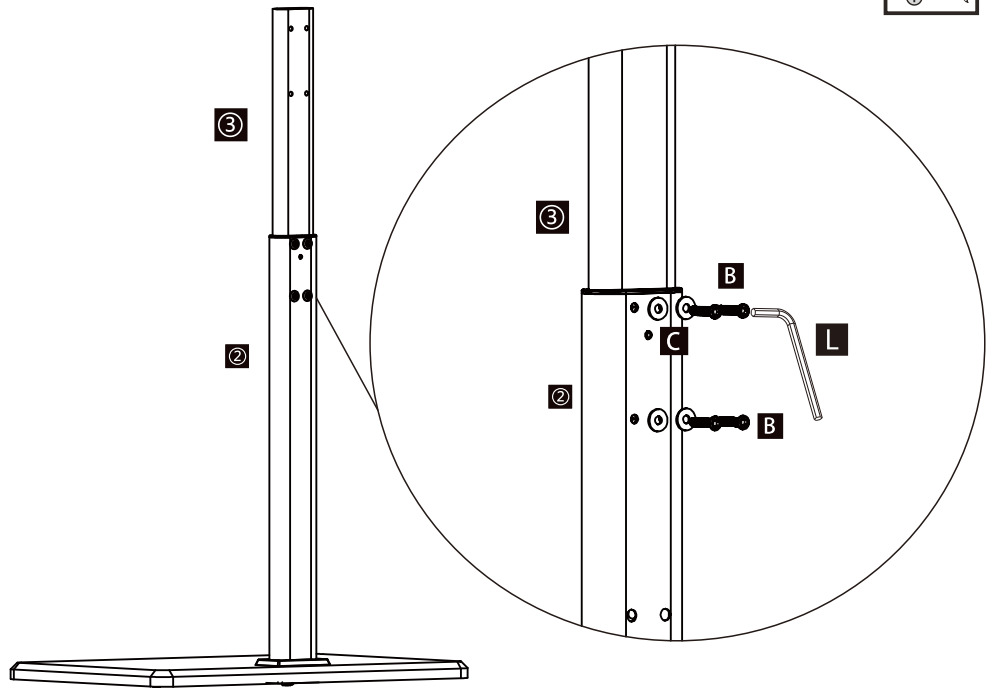
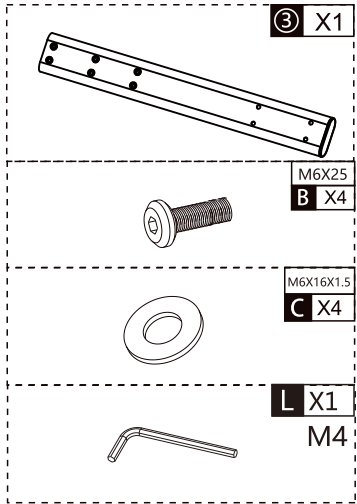
				
M4*30 TV1 X4	M6*16 TV2 X4	M6*35 TV3 X4	M8x16 TV4 X4	M8x35 TV5 X4
				
M8x50 TV6 X4	SP1 TV7 X8	SP2 TV8 X4	SP3 TV9 X4	Spacer with 3 holes TV10 X4

3

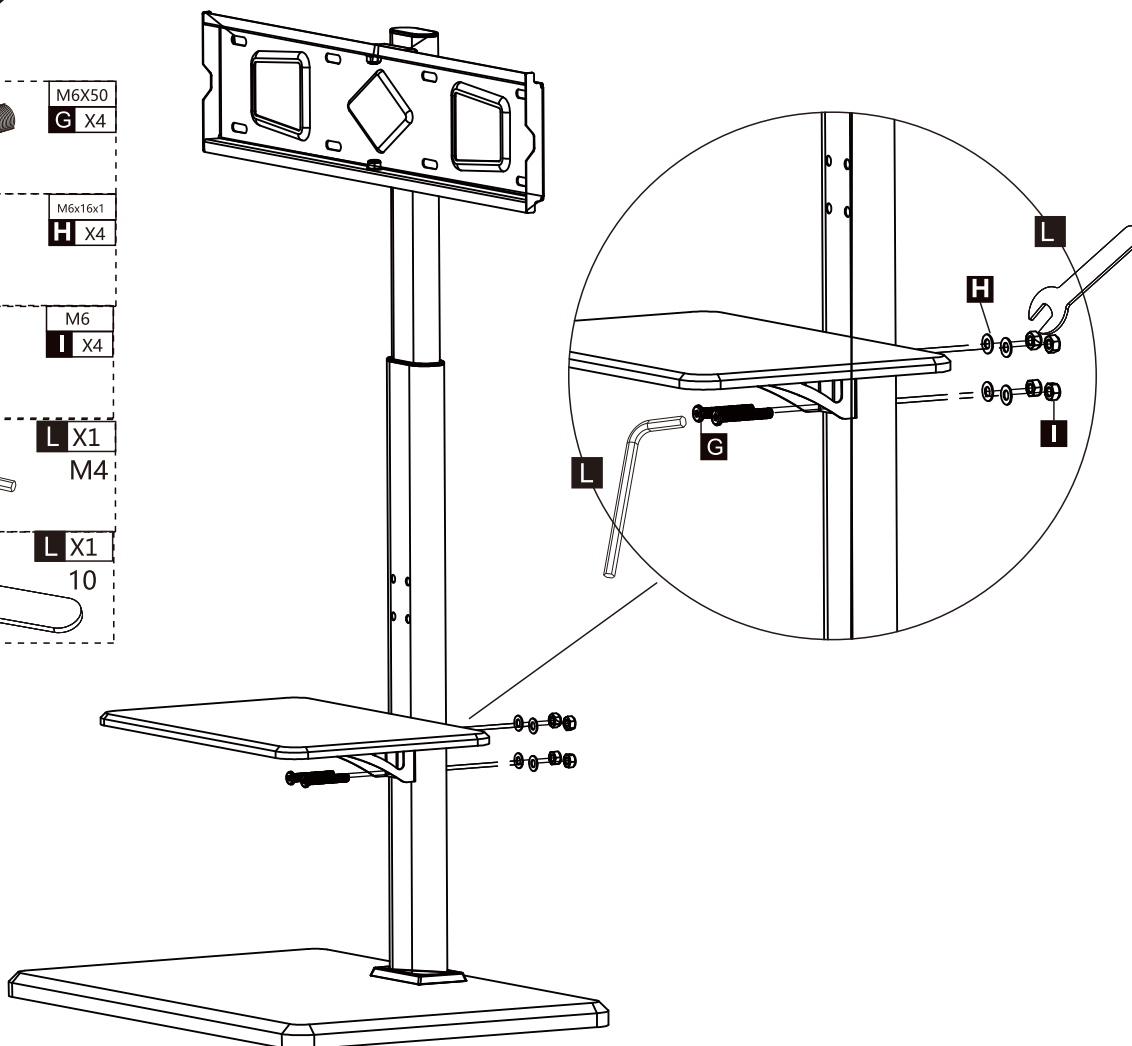
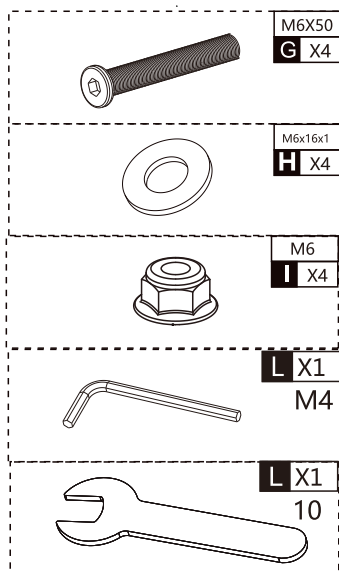
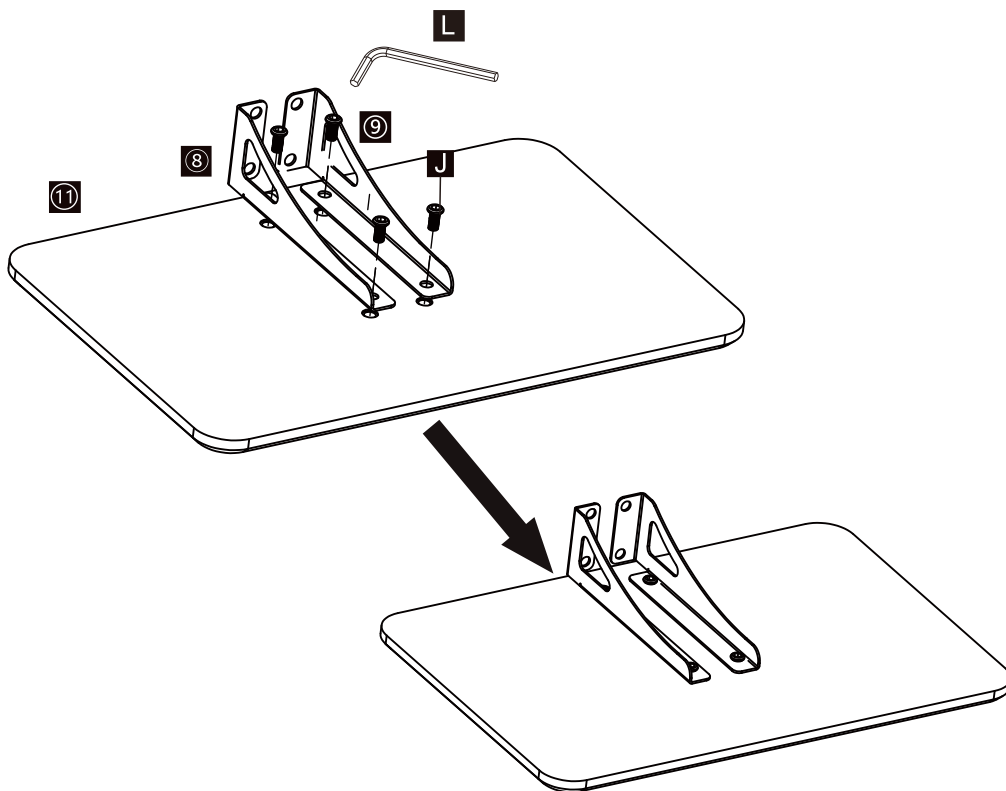
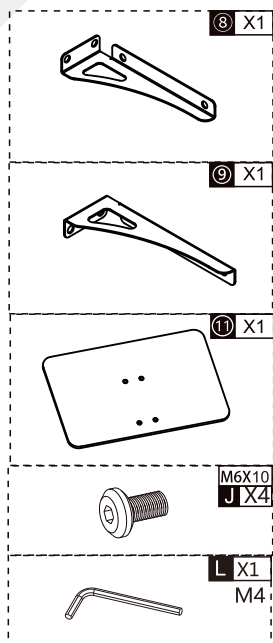


4

NOT INCLUDED



5



6

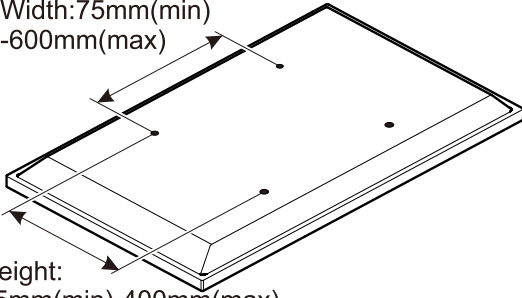
Measure the TV fixing holes Width and Height

TV1

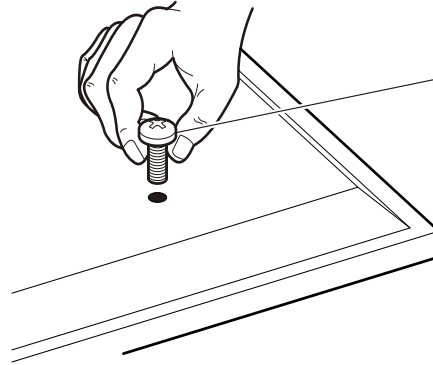
TV2-TV4

TV5-TV7

(X) Width: 75mm(min)  
-600mm(max)



(Y) Height: 75mm(min)-400mm(max)



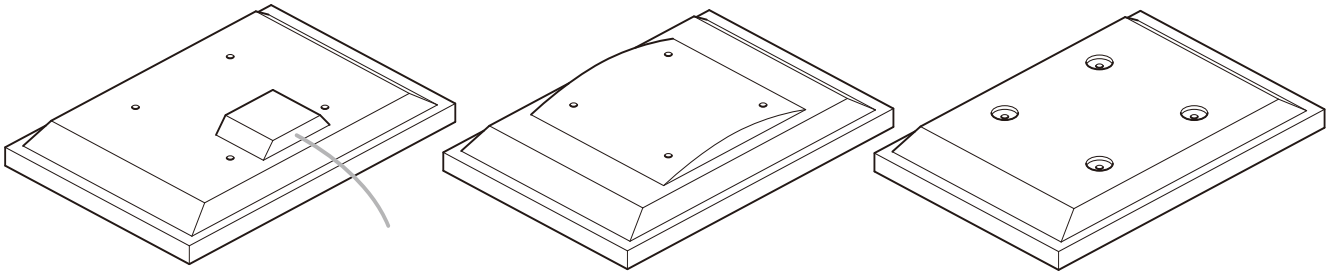
If width (X) is greater than 600mm or height (Y) greater than 400mm STOP installation now and contact the customer help line

You are provided with 3 diameters of TV fixing screws, M4, M6 and M8. Determine the screw diameter that fits

Spacers

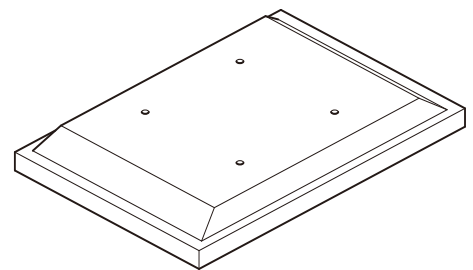
SP

For TVs with irregular/obstructed back



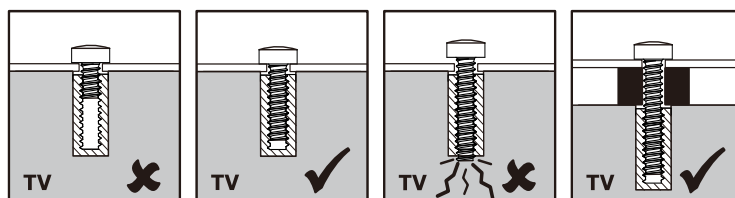
No Spacers

For TVs with flat/unobstructed back



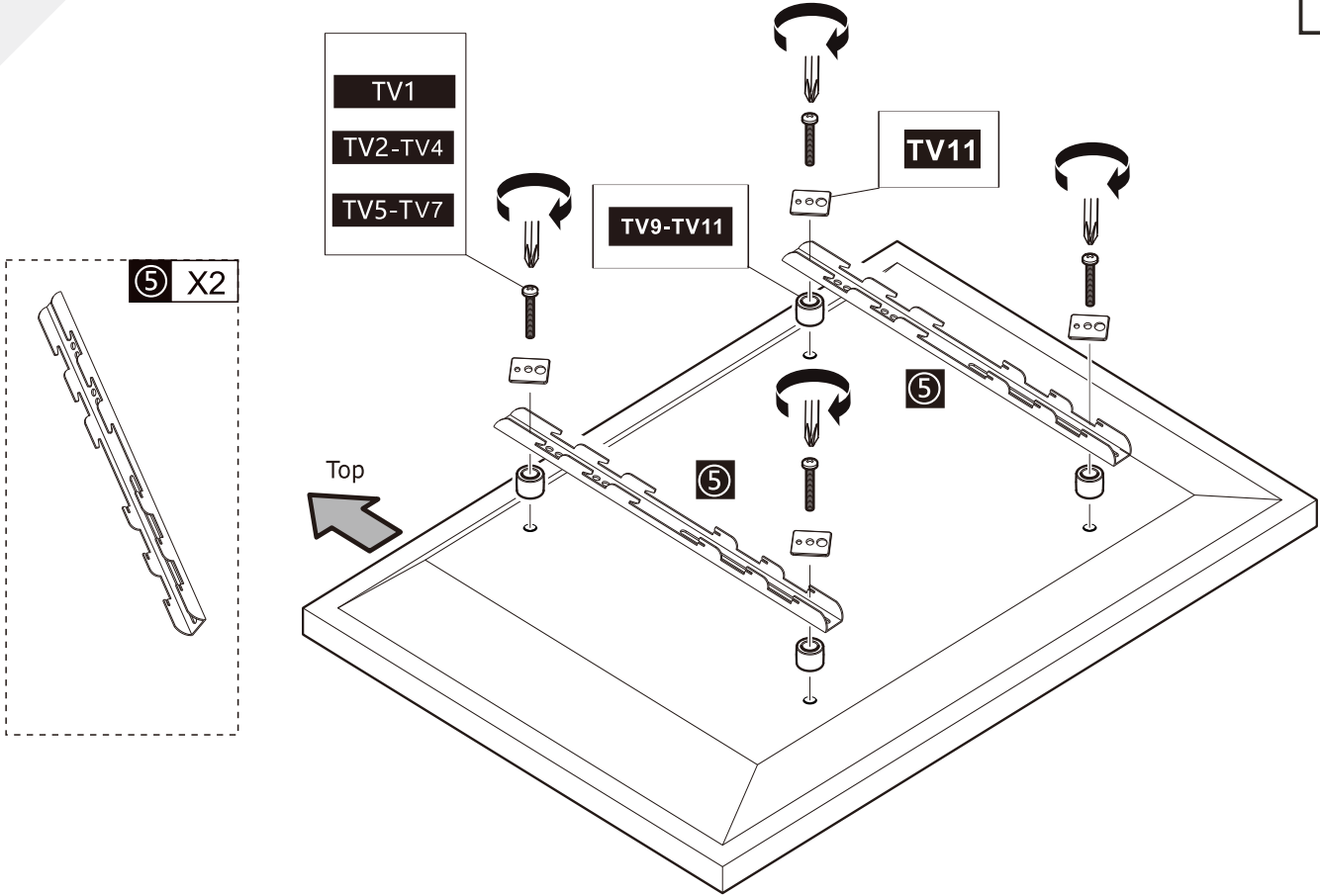
WARNING




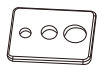
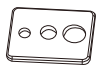
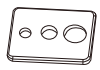
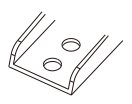
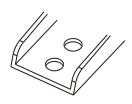
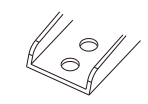
Please keep for future reference.



7

**NOT INCLUDED** 



- |   |   |                     |                 |   |   |   |                   |   |   |   |   |          |                 |    |
|---|---|---------------------|-----------------|---|---|---|-------------------|---|---|---|---|----------|-----------------|----|
|  | <table border="1"><tr><td>M4</td></tr><tr><td><b>TV1</b> X4</td></tr></table>                             | M4                  | <b>TV1</b> X4   |  | <table border="1"><tr><td>M6</td></tr><tr><td><b>TV2-TV4</b> X4</td></tr></table>               | M6  | <b>TV2-TV4</b> X4 |  | <table border="1"><tr><td>M8</td></tr><tr><td><b>TV5-TV7</b> X4</td></tr></table>               | M8  | <b>TV5-TV7</b> X4   |          |                 |    |
| M4  |   |                     |                 |   |   |   |                   |   |   |   |   |          |                 |    |
| <b>TV1</b> X4   |   |                     |                 |   |   |   |                   |   |   |   |   |          |                 |    |
| M6  |   |                     |                 |   |   |   |                   |   |   |   |   |          |                 |    |
| <b>TV2-TV4</b> X4   |   |                     |                 |   |   |   |                   |   |   |   |   |          |                 |    |
| M8  |   |                     |                 |   |   |   |                   |   |   |   |   |          |                 |    |
| <b>TV5-TV7</b> X4   |   |                     |                 |   |   |   |                   |   |   |   |   |          |                 |    |
| +   |   | +                   |                 | +   |   |   |                   |   |   |   |   |          |                 |    |
|  | <table border="1"><tr><td>spacer with 3 holes</td></tr><tr><td><b>TV11</b> X4</td></tr></table>           | spacer with 3 holes | <b>TV11</b> X4  |  | <table border="1"><tr><td>spacer with 3 holes</td></tr><tr><td><b>TV11</b> X4</td></tr></table> | spacer with 3 holes   | <b>TV11</b> X4    |  | <table border="1"><tr><td>spacer with 3 holes</td></tr><tr><td><b>TV11</b> X4</td></tr></table> | spacer with 3 holes   | <b>TV11</b> X4  |          |                 |    |
| spacer with 3 holes   |   |                     |                 |   |   |   |                   |   |   |   |   |          |                 |    |
| <b>TV11</b> X4  |   |                     |                 |   |   |   |                   |   |   |   |   |          |                 |    |
| spacer with 3 holes   |   |                     |                 |   |   |   |                   |   |   |   |   |          |                 |    |
| <b>TV11</b> X4  |   |                     |                 |   |   |   |                   |   |   |   |   |          |                 |    |
| spacer with 3 holes   |   |                     |                 |   |   |   |                   |   |   |   |   |          |                 |    |
| <b>TV11</b> X4  |   |                     |                 |   |   |   |                   |   |   |   |   |          |                 |    |
| +   |   | +                   |                 | +   |   |   |                   |   |   |   |   |          |                 |    |
|  | <table border="1"><tr><td>SP1 -SP3</td></tr><tr><td><b>TV9-TV11</b></td></tr><tr><td>X8</td></tr></table> | SP1 -SP3            | <b>TV9-TV11</b> | X8  |              | <table border="1"><tr><td>SP1 -SP3</td></tr><tr><td><b>TV9-TV11</b></td></tr><tr><td>X8</td></tr></table> | SP1 -SP3          | <b>TV9-TV11</b>   | X8  |  | <table border="1"><tr><td>SP1 -SP3</td></tr><tr><td><b>TV9-TV11</b></td></tr><tr><td>X8</td></tr></table> | SP1 -SP3 | <b>TV9-TV11</b> | X8 |
| SP1 -SP3  |   |                     |                 |   |   |   |                   |   |   |   |   |          |                 |    |
| <b>TV9-TV11</b>   |   |                     |                 |   |   |   |                   |   |   |   |   |          |                 |    |
| X8  |   |                     |                 |   |   |   |                   |   |   |   |   |          |                 |    |
| SP1 -SP3  |   |                     |                 |   |   |   |                   |   |   |   |   |          |                 |    |
| <b>TV9-TV11</b>   |   |                     |                 |   |   |   |                   |   |   |   |   |          |                 |    |
| X8  |   |                     |                 |   |   |   |                   |   |   |   |   |          |                 |    |
| SP1 -SP3  |   |                     |                 |   |   |   |                   |   |   |   |   |          |                 |    |
| <b>TV9-TV11</b>   |   |                     |                 |   |   |   |                   |   |   |   |   |          |                 |    |
| X8  |   |                     |                 |   |   |   |                   |   |   |   |   |          |                 |    |

Attach the bracket to the back of your TV using suitable screw, reducer and spacer combinations.

8

NOT INCLUDED

